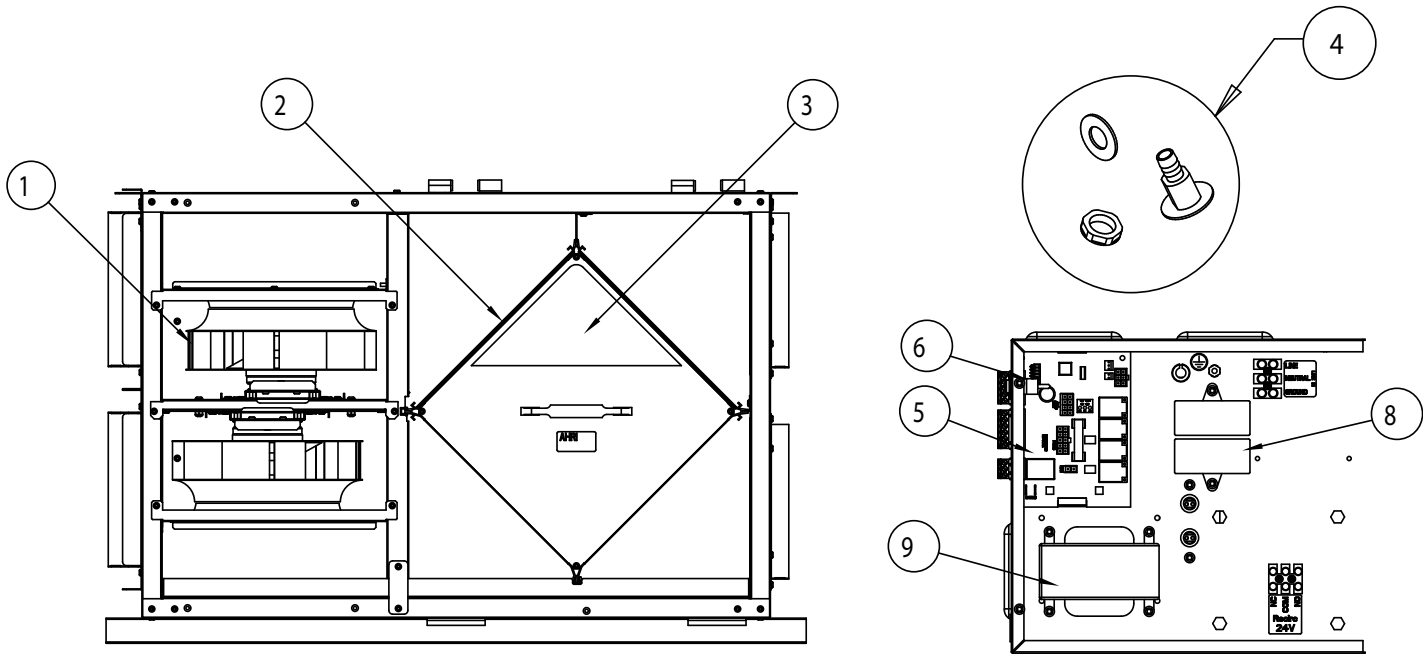




FRESH ACCESS™

# AN035NSEDAV/AA, Light Commercial ERV

## Parts List



BOM #	Description	Part Number
1	Motor Assy, SHR450/700	427814
2	Electrostatic Filters Kit 11.5" x 15"	40328
3	Energy Recovery Cell	422712 x 2
4	Kit Drain Plug	40315 x 2
	Drain, T	410788
5	Kit,RV-CTRL, Replacement,EC H:F	428252
6	Rocker Switch	410213
8	Capacitors 30uF	412303
9	Auto-Transformer	414570
	Temperature Probe	40286
	Fuse (8 Amps)	410432
	MERV6 Filters	40458
	Wiring Diagram	427815
	Installation Manual	444566