

FAQ 1

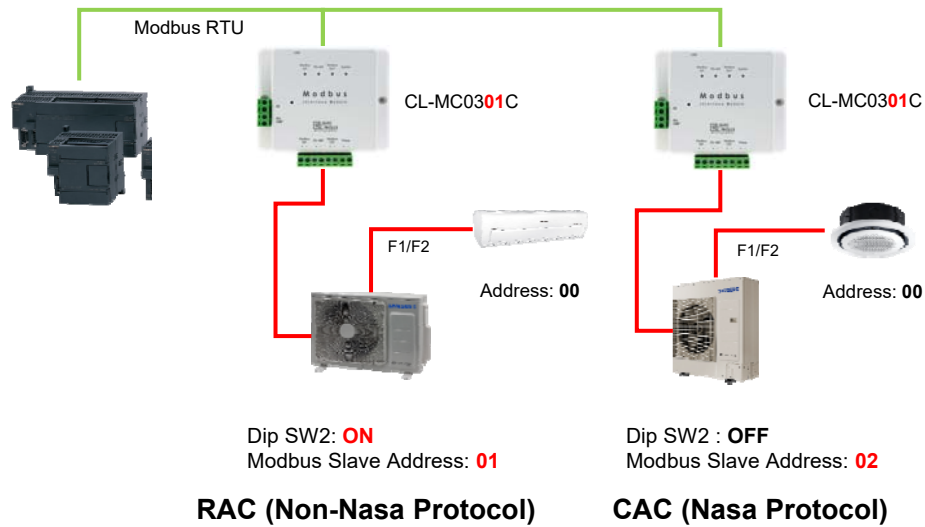
● **Question**

There are **2** systems, RAC (Non-NASA protocol), CAC (NASA protocol). I would like to control both systems with Modbus Master controller. Is this possible?

✓ **Answer**

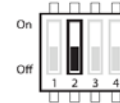
Yes. There are two settings that need to be configured.

1. Protocol setting for Non-Nasa , Nasa protocol
2. Modbus slave (adapter) address setting.



■ **Protocol setting to control or monitor SAMSUNG AC**

DIP SW2 : Adjust the initial setting according to the SAMSUNG AC type.



DIP SW2	Access
ON	RAC/FJM : Model number AR*****, AJ*****
OFF	DVM/CAC : Model number AM*****, AC*****

■ **Modbus Address Setting with Rotary Switch**



RSW1 (Ten) RSW1 : 10 digit

RSW2 (One) RSW2 : one digit

FAQ 2

- **Question**

There are **9** DVM indoor units connected to one DVM outdoor unit.
Is it possible to use 2 Modbus Interface (CL-MC03**08**C, CL-MC03**01**C) Modules ?

- ✓ **Answer**

No, you must use CL-MC03**16**C.

CL-MC030**C Modbus Interface Modules are designed to count the indoor unit's address by ascending order.

If you connect CL-MC0308C to the system, CL-MC0308C will count the indoor unit address 00 to 07 (total 8 indoor units).

If you also connect CL-MC0301C to the system, CL-MC0301C will count the indoor unit address 00 only.

With this configuration, indoor unit address 08 would not be controlled or monitored by the Modbus Adapter.

