

Date: 07/19/2017

Subject: CAC Wall Mount Units - Emergency Temperature Output (ETO) setting

Models: AC0\*\*MNADCH/AA, AC0\*\*MNTDCH/AA

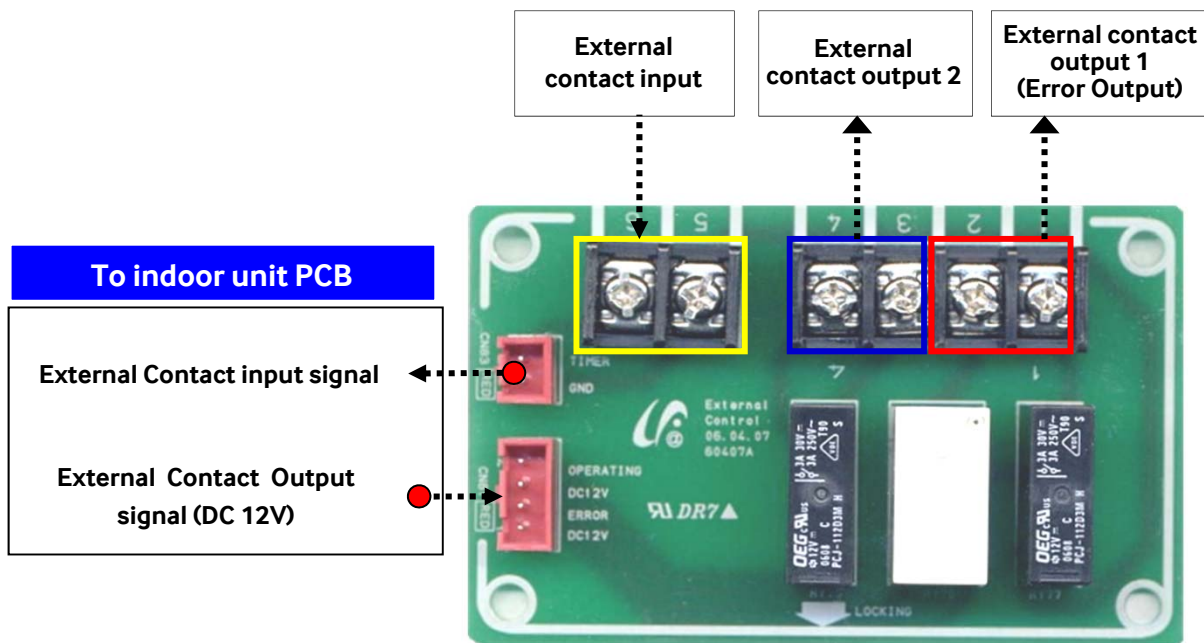
## CAC Wall Mount Units - Emergency Temperature Output (ETO) Setting

### Concept

Emergency Temperature Output (ETO) setting provides a signal from a CAC wall mount unit that can be used to enable a backup system or to notify a BMS if room temperature gets too high. For example, a backup system can be activated if the Main system shuts off due to an error or if the Main unit is unable to maintain desired temperature. MIM-B14 External Contact interface modules are required for both units, along with additional field wiring and configuration of the systems.

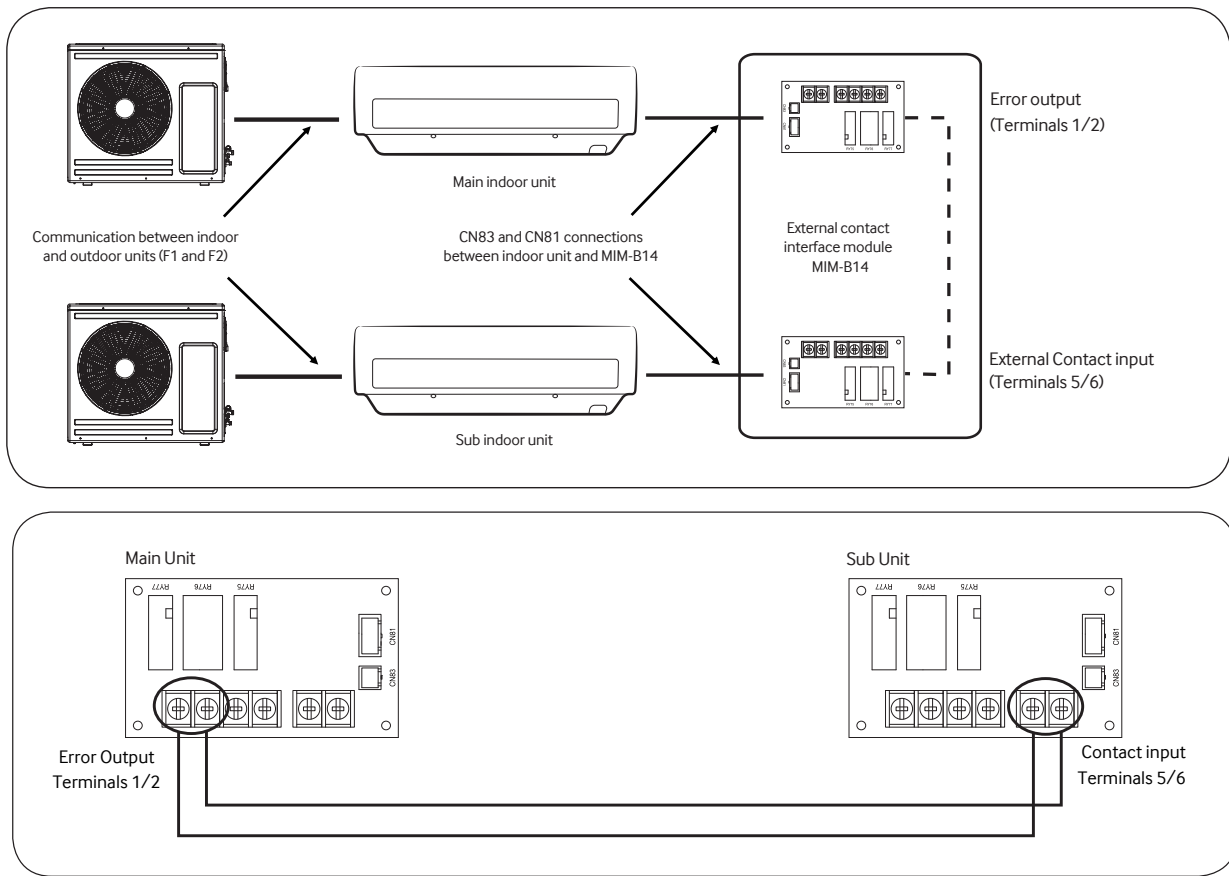
### MIM-B14 Interface Module Wire Connections

Connect the Main unit's MIM-B14 terminals 1 and 2 (error output) to the Sub unit's MIM-B14 Terminals 5 and 6 (external contact input). For full installation details, please reference the MIM-B14 installation manual.



MIM-B14 (External Contact Interface Module)

MIM-B14 Interface Module wire connections



**ATTENTION: Do not connect F1-F2 from the main system to the sub system.\*\***

Configuration and Setup

1. Main Unit:

Verify External Contact Control is disabled (factory default). Check that segment 14 in the "02" installation option code is set to "0". This can be done in SNET Pro2 or a wired controller (if installed).

S-NET pro 2

Home Trend Graph Add-On Help

Disconnect Controller Control for Unoccupied and Entering Room K Button Control ETO Setting Start Recording Open Record Folder Reset to Default Layout Report Wizard Management Control Unit 10.11.00

Indoor Unit Installation Data

Update

IndoorUnitInstallation								
Address	Model	RMC	MCU ADDRESS	MCU PORT	Location	Product Option	Installation Option	Installation Option2
0	CAC Wall Mount		-	-		[0]17044-[1]180C8-[2]01616-[3]00010	[0]20010-[1]00000-[2]00000-[3]00000	[0]50000-[1]00000-[2]00000-[3]00000

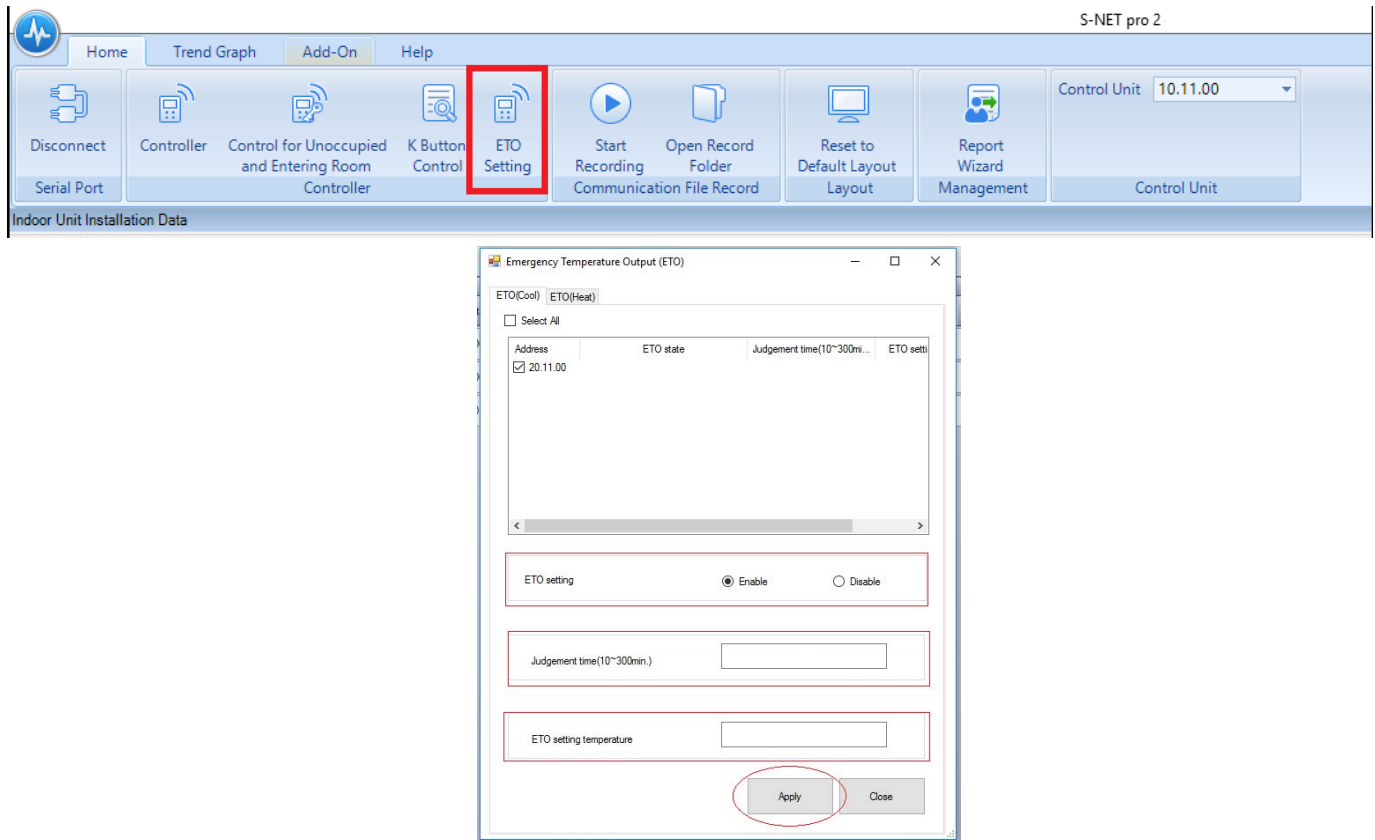
020000-100000-200000-300000

## Configuration and Setup (continued)

### 2. Main Unit:

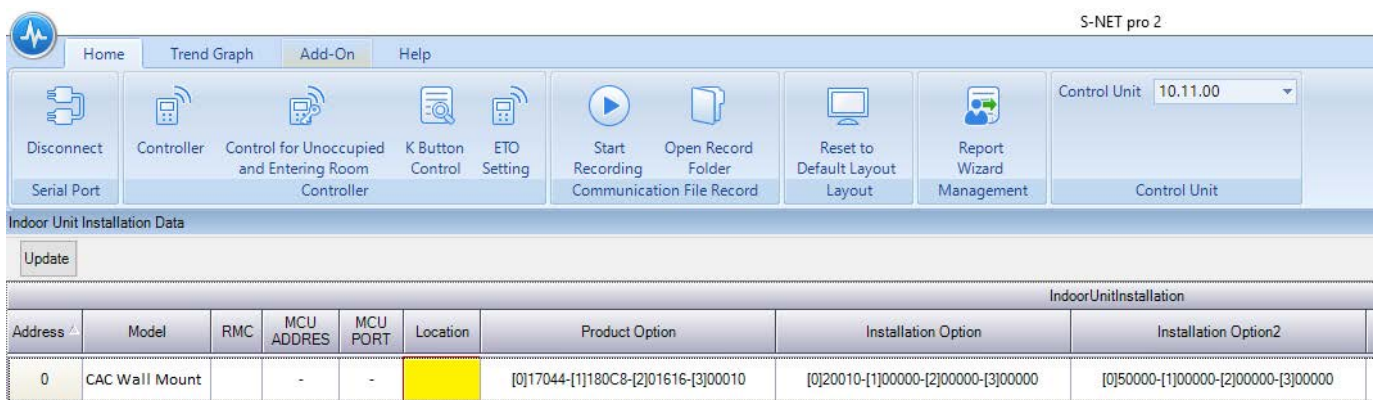
Enable ETO setting in SNET Pro2. Select a Judgement Time (10 - 300 min) and ETO Setting Temperature (65 - 86°F)

NOTE: If ETO settings are not enabled, the Main unit will only provide output to the Sub unit if an error occurs.



### 3. Sub Unit:

Connect SNET Pro2 to the Sub unit, and enable External Contact Control (installation option Segment 14 - Reverse Control). Details of setting values are listed on the next page.



020000-100000-200000-300000

Configuration and Setup (continued)

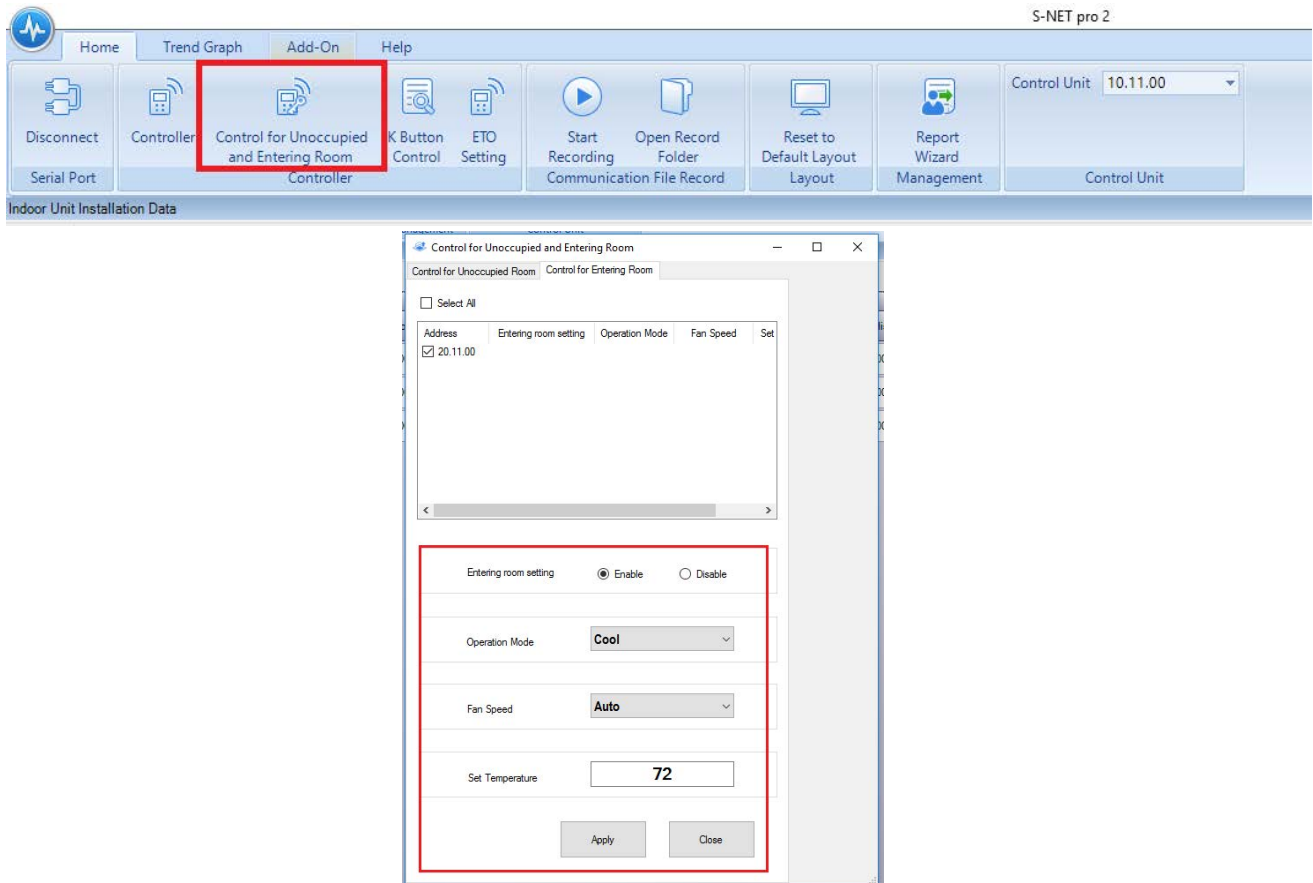
"02" Installation Option Setting Segment 14		
Setting	Operation	Description
0	Disabled, Standard Control	Default: External Contact Input has no function
1	ON/OFF, Standard Control	Contact closed: unit ON, controller enabled Contact open: unit OFF, controller enabled
2	OFF Only, Standard Control	Contact closed: unit STANDBY, controller enabled Contact open: unit OFF, controller disabled
3	Window ON/OFF, Standard Control	Contact closed: unit STANDBY or ON (previous operation), controller enabled Contact open: unit OFF, controller disabled
8	Disabled, Reverse Control	Disabled, External Contact Input has no function
9	ON/OFF, Reverse Control	Contact closed: unit OFF, controller enabled Contact open: unit ON, controller enabled
A	OFF Only, Reverse Control	Contact closed: unit OFF, controller disabled Contact open: unit STANDBY, controller enabled
B	Window ON/OFF, Reverse Control	Contact closed: unit OFF, controller disabled Contact open: unit STANDBY or ON (previous operation), controller enabled

4. Sub Unit:

In SNET Pro2 configure "Entering Room Control" for the Sub unit. Set Mode, temperature, and Fan Speed.

After the main unit provides the output signal to the sub unit, the sub unit will operate based on the Entering Room Control settings configured in SNET Pro2. If Entering Room settings are not enabled and configured, the sub unit will turn on and operate in the last mode, set temperature, and fan speed used before it was turned off.

**\*\*The first time the unit is powered on after initial install or reset, it will be set to Auto Mode with a set temperature of 75°F\*\***



**Summary of Emergency Temperature Output (ETO) Setting**

	Enabled ETO	Enabled External Contact	Error Output Terminal
Main Indoor unit	X	X	N/A
	X	0	Output due to an error
	0	X	Output by ETO Settings (temperature / Time / Error Occurrence)
	0	0	Output by ETO Settings (temperature / Time / Error Occurrence) **External Contact Input also enabled**

	Enable of Entering Room Control	Enable of External Contact	Operation when Main provides Output
Sub indoor unit	X	X	N/A
	X	0	On with previous settings (mode/set temperature/fan speed)
	0	0	On with Entering Room Control Setting

**For additional information please reference the installation manuals, service manuals, and Technical Data Books which are available for download from [www.dvmdownload.com](http://www.dvmdownload.com)**