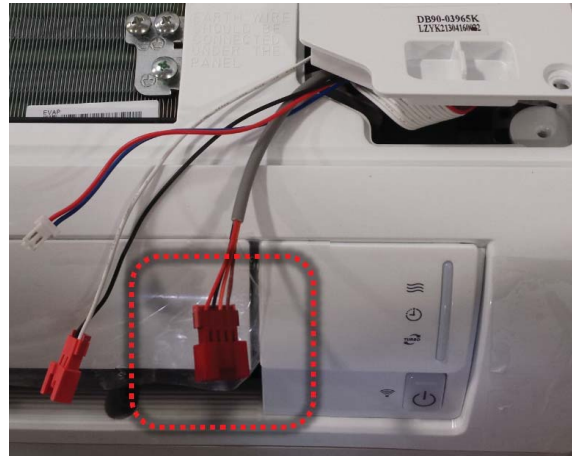


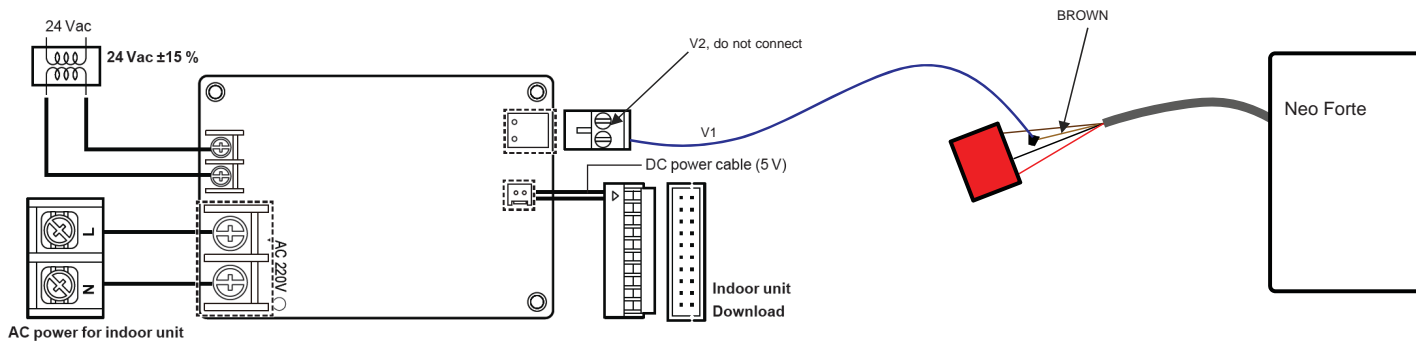


Multi-Tenant Function Controller (MCM-C210N connection to Neo Forte wall units)

- Neo Forte (AM0**FNTDCH/AA, AM0**HNQDCH/AA) units do not have screw terminals for wired controller connection, there is not a V1/V2 to connect the MCM-C210N to.
- V2 from the MCM-C210N will not be used when connecting to Neo Forte units, only V1 (V2 shares the N phase).
- Connect the V1 screw terminal on the MCM-C210N to the orange wire on the 4-wire plug on the Neo Forte (cut and connect).
- If MIM-B14 is also used, splice into the orange wire but do not completely disconnect from the red plug as MIM-B14 requires this 12VDC connection.



Connection Diagram



This document is for general reference only. Refer to MCM-C210N installation manual for complete installation instructions. Samsung and Quietside maintains a policy of ongoing development, specifications are subject to change without notice.