

Date: 02/16/2018

Subject: Twinning two ports on a MCU using standard Y-joints

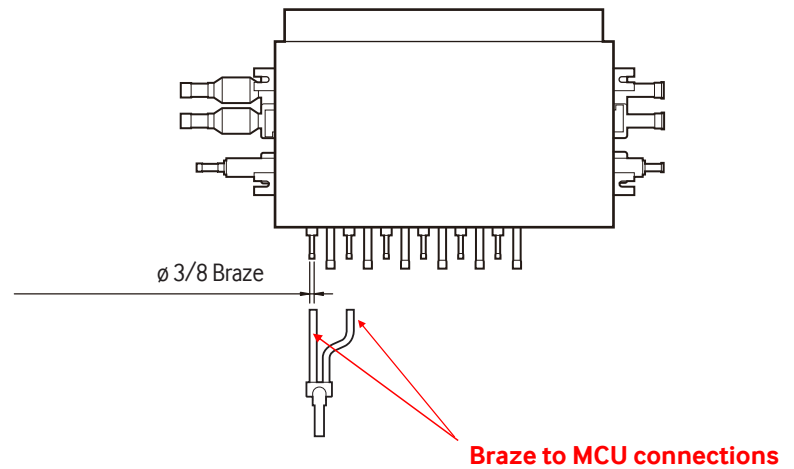
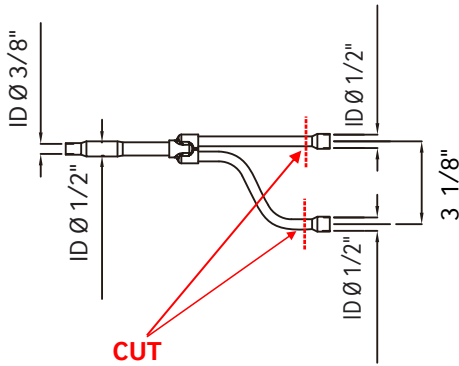
Models: MCU-S6NEK2N, MCU-S4NEK3N, MCU-S2NEK2N

Twinning two ports on an MCU using an MXJ-YA2512M Y-joint kit

When connecting indoor units that are 54,000 Btu/h and larger to a MCU (Mode Control Unit), 2 adjacent ports must be twinned together. If MCU Y-connector part numbers DB96-23143A (3/8" liquid) and DB96-23144A (5/8" suction) are not available, Y-Joint kit MXJ-YA2512M can be used.

Please note that modifications to the Y-Joint fittings and reducers will be necessary.

How to install liquid Y-Joint connector to MCU



How to install suction Y-Joint connector to MCU

