

Date: 11/03/2017

Subject: DVM S Eco and MIM-B14 Connection

Models: AM0\*\*FXMDCH/AA

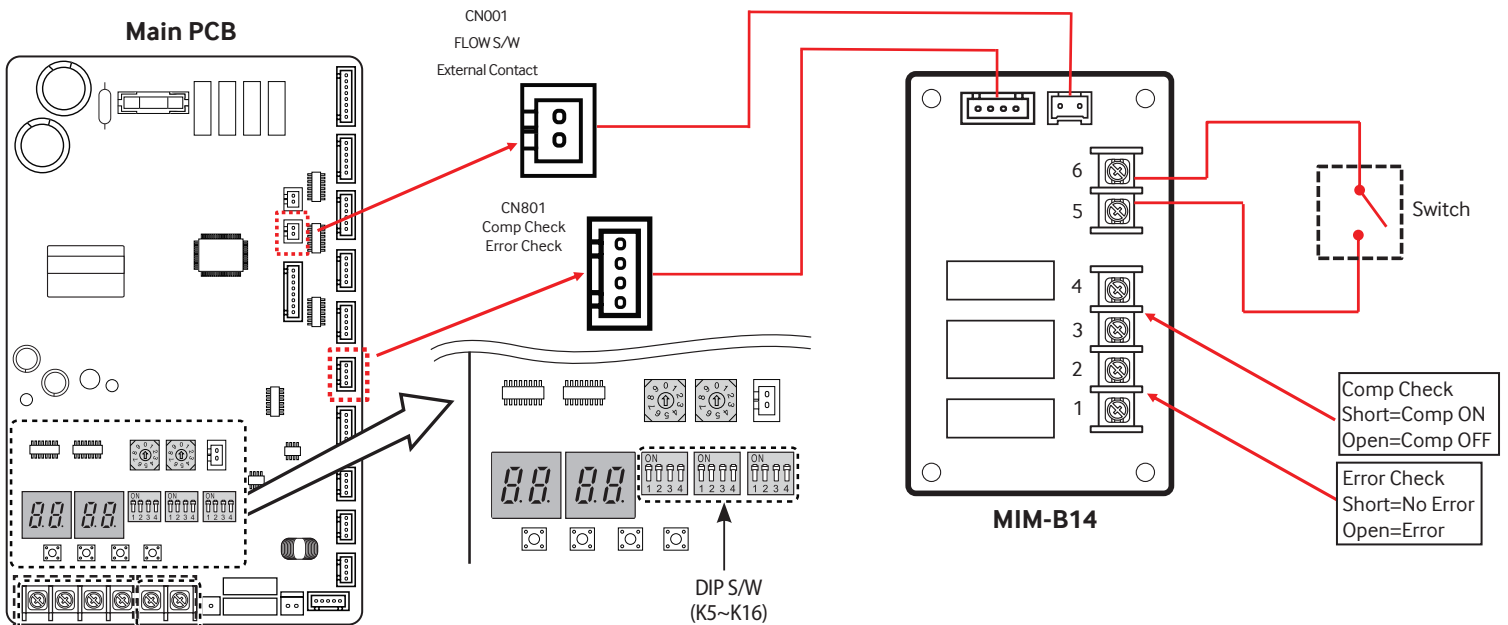
## DVM S Eco and MIM -B14 External Contact Connection

DVM S Eco (AM0\*\*FXMDCH/AA) manufactured after 05/16/2016 (Micom DB91-01541B, ver. 160408) can use MIM-B14 External Contact for the following features:

- Manual Activation of Silent Operation (Cooling or Heating Mode)
- Error and Compressor Operation output signal

Units manufactured before 05/16/2016 can be upgraded to use the new features by replacing the Main PCB with PCB part number DB92-03322A. Micom version should be checked to verify it is DB91-01541B, ver. 160408. The Micom version can be checked using SNET Pro2 service software, or via the K4 Tact switch (refer to the installation manual for more information).

### Connection of MIM-B14 External Control and Dip Switch Setting



K5 : Automatic / Manual Silent mode operation setting

Switch	Function (Silent mode operation control)
K5	
ON	Automatic Silent mode operation
OFF	Manual Silent mode operation

K9, K10: Silent mode option. This reduces FAM RPM to operate the outdoor unit quietly during night operation.

Switch		Function (Silent mode)
K9	K10	
ON	ON	Disuse Silent mode
ON	OFF	STEP - 1
OFF	ON	STEP - 2
OFF	OFF	STEP - 3

Enables the silent mode for night-time in cooling mode. (It operates automatically depending on the temperature.) If the external contact interface module (MIM-B14) is used, entering the silent mode is available with contact signal in cooling and heating mode.

**\*\*AM060MXMDCH/AA has always had the Silent Operation feature, but is enabled using the "K" Tact Buttons. Option setting "07" for auto-enabled Silent Operation (cooling mode only) and option setting "15" for manual-enabled Silent Operation (heating and cooling modes). Please reference the installation manual for details\*\***