

Date: 06/12/2018

Subject: Mode Control Unit (MCU) Communication Wiring

Models: MCU-S*NEK*N, MCU-R4NEK0N

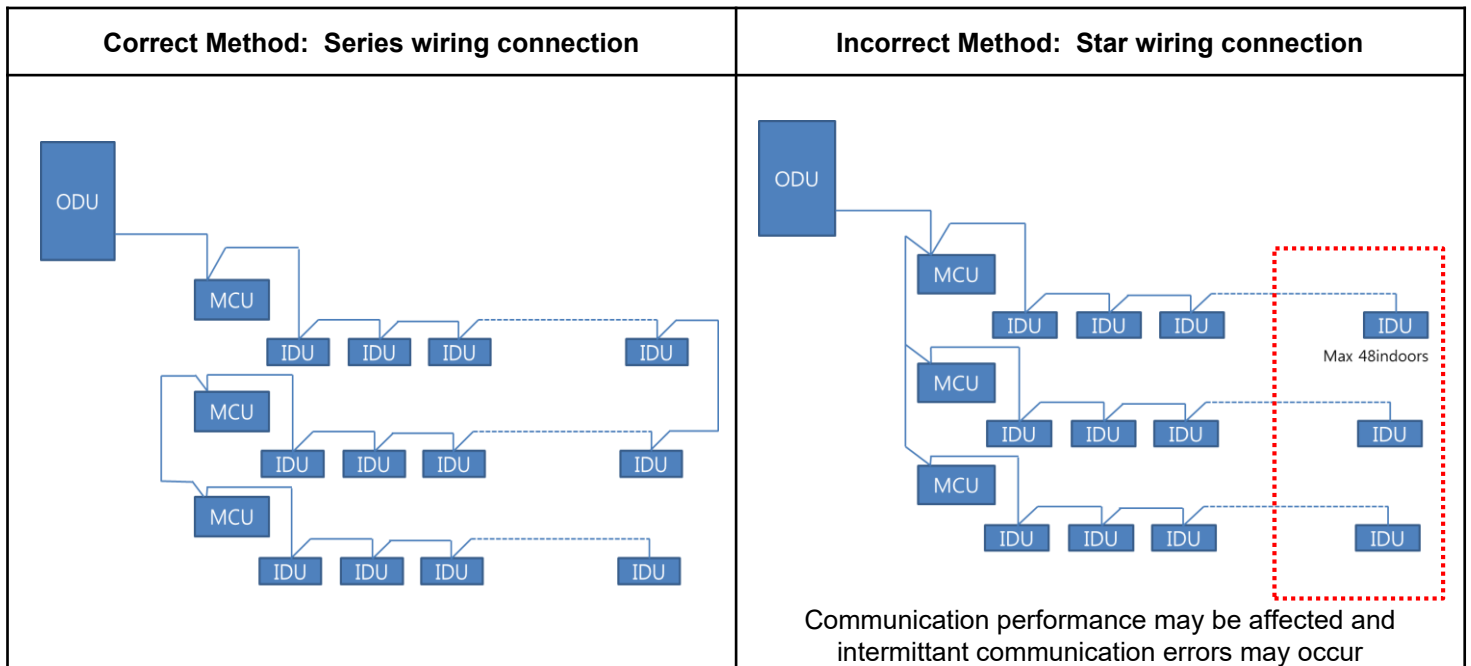
Mode Control Unit (MCU) Communication Wiring

The communication wiring connection method has changed with the introduction of the MCU-S*NEK*N models of Mode Control Units (MCU) in 2017. Previous generations of MCU's allowed for a "star wiring" configuration, but with the new MCU models ability to have up to 48 indoor units on one MCU, communication wiring should be connected in a "series" configuration.

	Previous MCU	New MCU
Model	MCU-S*NEE*N	MCU-S*NEK*N, MCU-R4NEK0N
Max indoor for each port	1	8 (limited to a total of 54,000 btu/h) ¹
Wiring Connection Method	Series or Star connection allowed	Series connection only

¹ MCU-R4NEK0N (HR Changer) and MCU-S6NEK3N (Sub MCU) have a maximum of 3 indoor units per port (limited to a total of 19,000 btu/h per port).

Wiring Examples



For additional information, please refer to the installation manuals found at www.dvmdownload.com