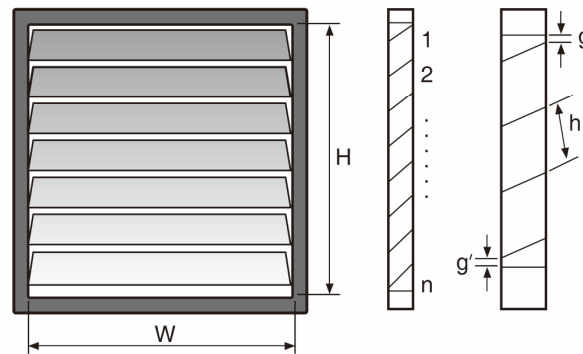


# DVM S Outdoor Unit Louver Installation

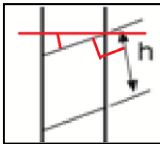
## 1) Requirements of Louver installation

(1) Opening rate: 80% and more.

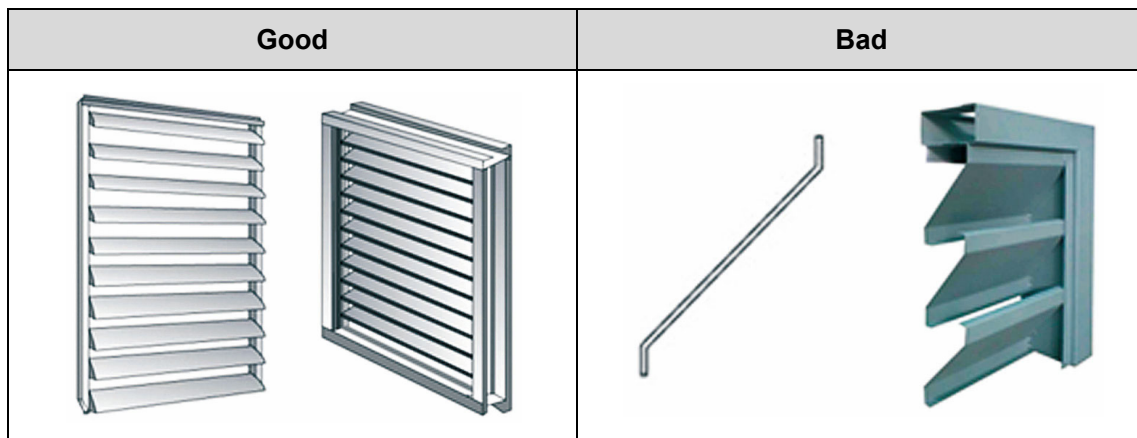
$$\text{Opening Rate} = \frac{\text{Louver Free Area}}{\text{Net Opening Size}} = \frac{W \times ((h \times n) + g + g')}{W \times H} \times 100$$



(2) Louver angle (blade slope): 20° or less.



(3) Louver shape - do not use drainable blade type.



(4) Air velocity of inlet side: 2.0 m/s or less.