

FCU Kit (Fan Coil Unit Control Kit)

Job Name _____
 Purchaser _____
 Submitted to _____
 Unit Designation _____

Location _____
 Engineer _____
 Reference _____ Approval _____ Construction _____
 Schedule # _____

Specifications

Power	Ø/V/Hz		1 / 208-230 VAC / 60
	MCA	A	2.75
	MOP	A	15
	Rated Capacity	Fan Output (H/M/L) ¹	208 - 230VAC, 60Hz, 1Ph, 1A
Water Valve output		208 - 230VAC, 60Hz, 1Ph, 0.5A	

Compatible Controllers	Wired Control		MWR-WE11N
			MWR-SH10N
	Interface Module		MIM-F10N
	Central Control (requires interface module)	DMS 2.5	MIM-D01AUN
		BACnet Gateway	MIM-B17BN
		LonWorks Gateway	MIM-B18BN
Central Touch Controller		MCM-A300N	

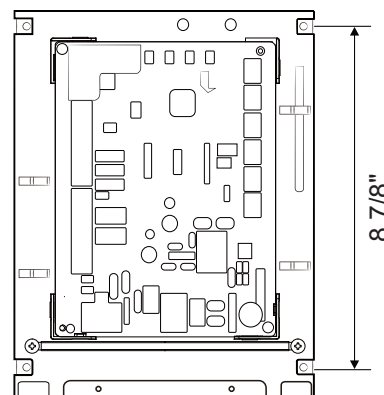
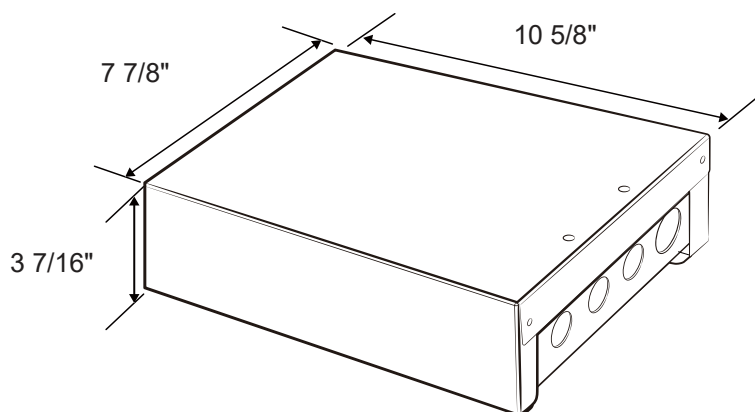
Accessories	Wired Control		MWR-WE11N
			MWR-SH10N
	External Temperature Sensor		MRW-TA
	Interface Module		MIM-F10N

Features

- Communication and control interface kit for connection of third-party fan coil units (FCU) to Samsung control systems (local wired controller and/or Samsung central controls).
- Provides multiple input and output options
- Can be used along with Samsung DVM Chiller systems or standalone to control water valves, fan motors, etc. with Samsung controls
- Multiple fan coil units can be connected to a single MIM-F00N (group control)
- Two water valve control outputs to accommodate 2 pipe or 4 pipe systems
- Dry contact input to enable/disable FCU via external contact
- Built-in wireless signal receiver for FCU option settings and programming with

¹ If fan motor current is greater than 1A, a field-provided relay will be required.

- Room temperature will be sensed with MWR-WE11N or MRW-TA external temperature sensor (field-provided)
- Includes two sets of water pipe temperature sensors
- Fan control output: 208-230VAC ON/OFF
- Interface module MIM-F10N is required to connect FCU kit to Samsung central control options



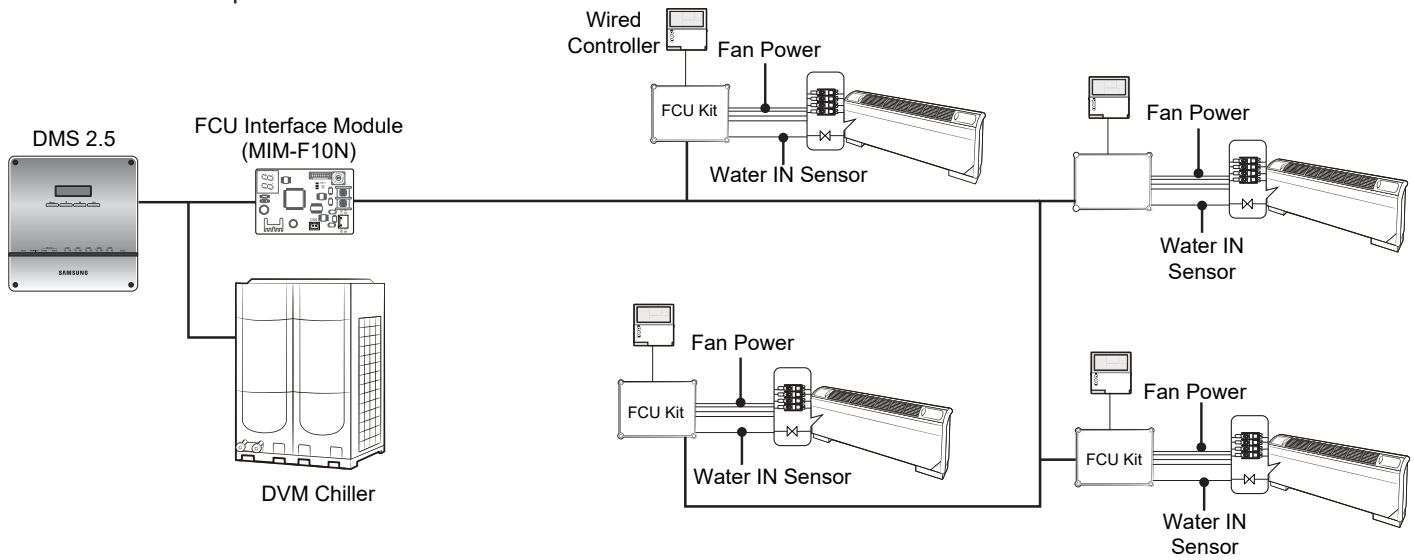
Samsung HVAC maintains a policy of ongoing development, specifications are subject to change without notice.

www.SamsungHVAC.com

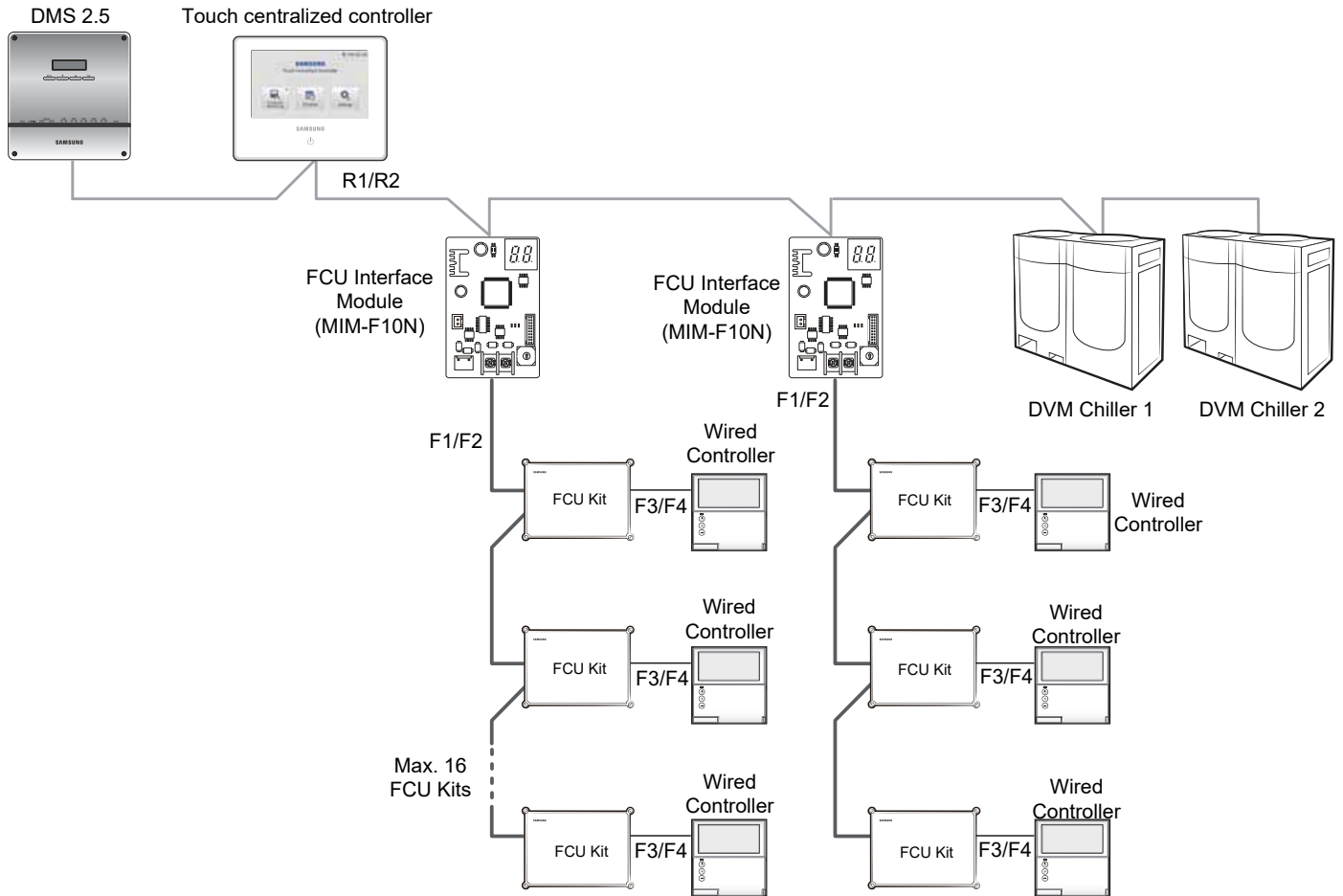
888-699-6067

FCU Kit (Fan Coil Unit Control Kit) Connection Examples

Typical connection example

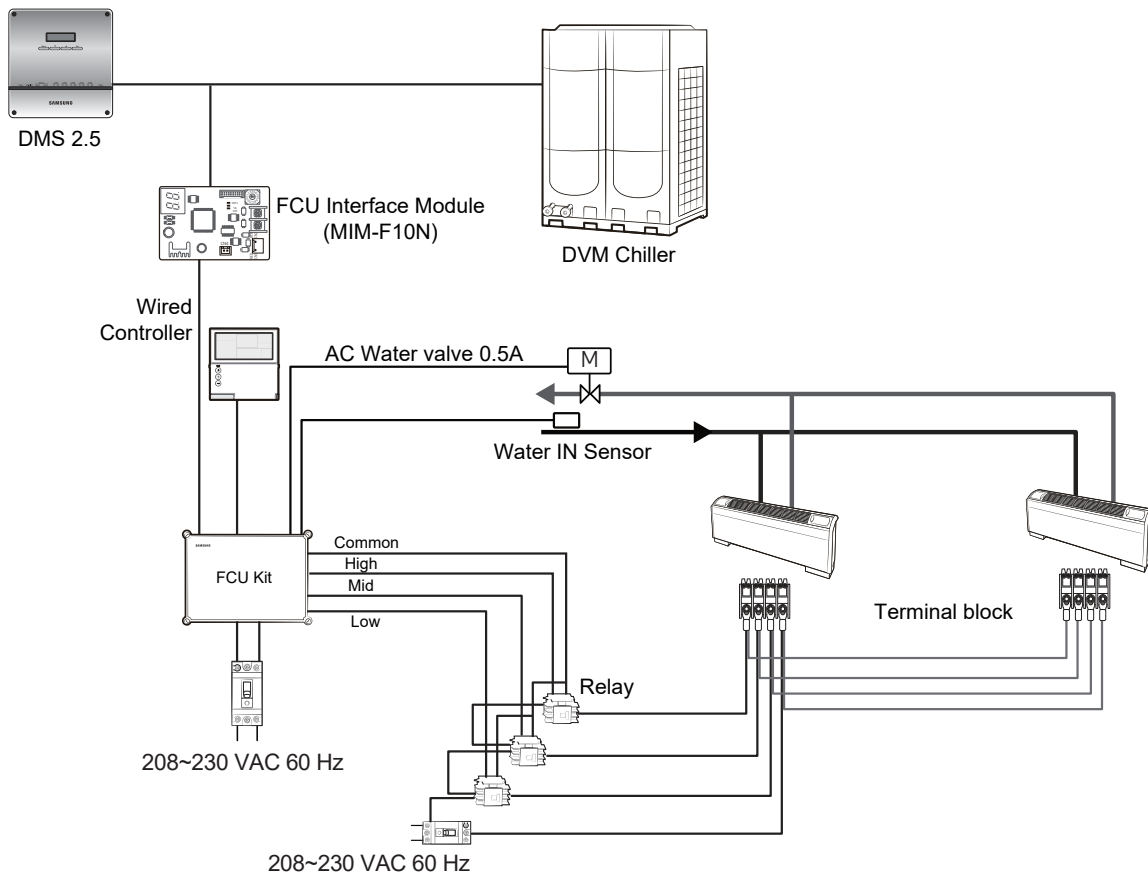


Central control connection example

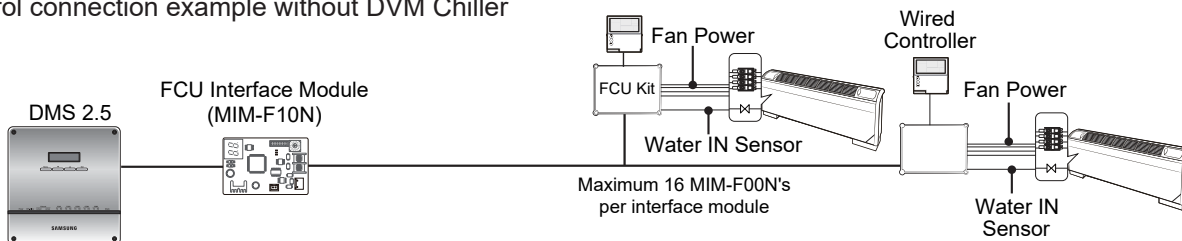


FCU Kit (Fan Coil Unit Control Kit)

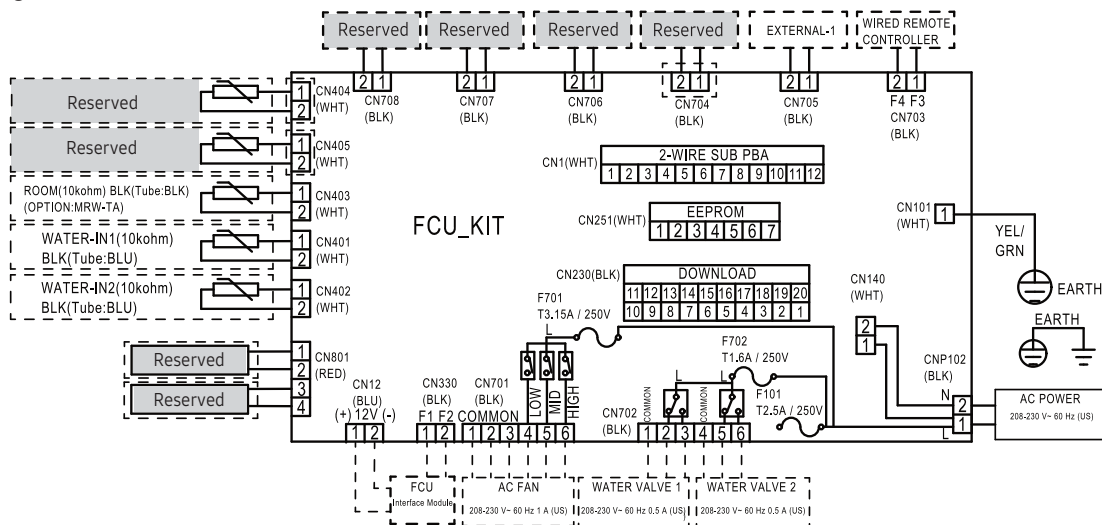
Connection example: multiple fan coil units connected to 1 MIM-F00N



Central control connection example without DVM Chiller



Electrical wiring diagram



Samsung HVAC maintains a policy of ongoing development, specifications are subject to change without notice.